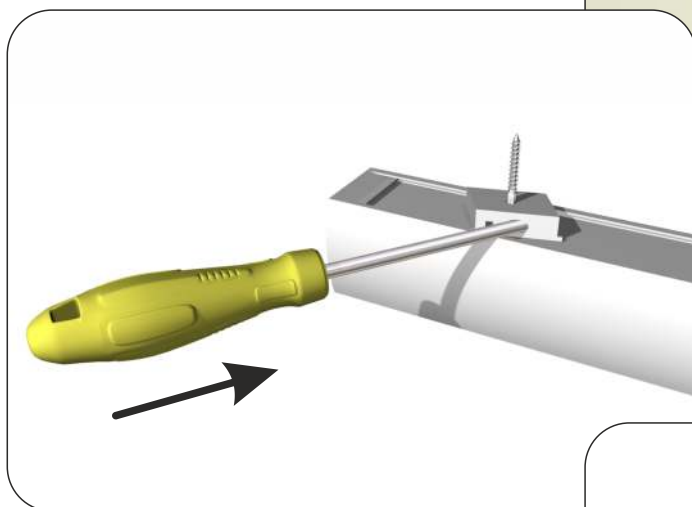
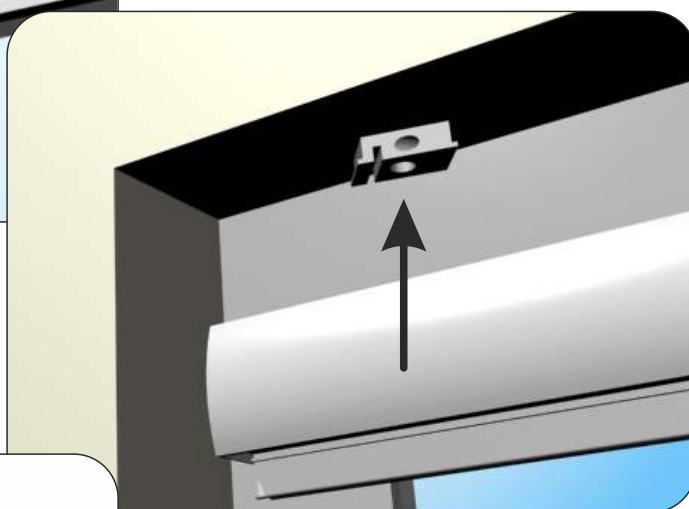


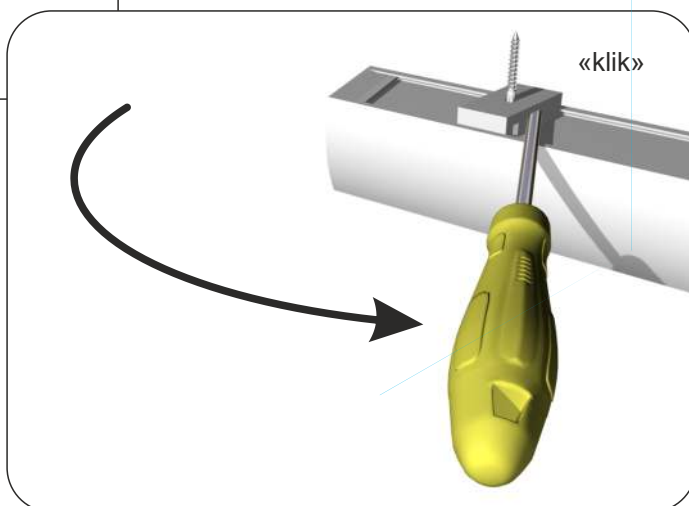
1. Attach the top bracket to the ceiling
(or angle bracket if this is in use)

2. Place the curtain under the bracket



3. Use a screwdriver to turn the bracket 90
degrees so it locks to the curtain

4. This is repeated for all brackets,
typical for every 60-70 cm.

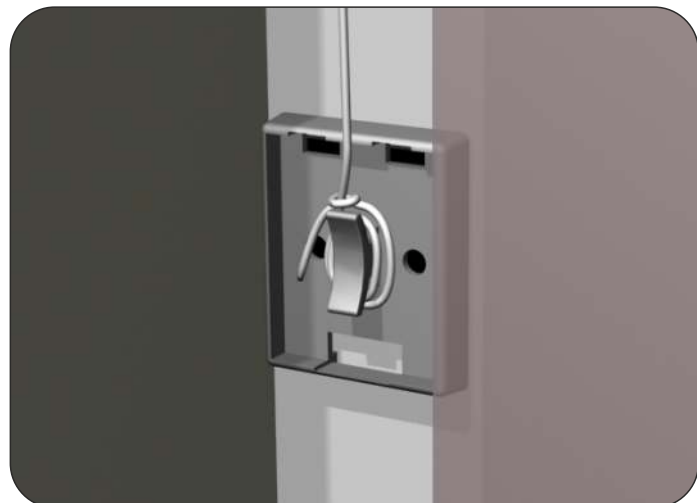


5. The back of the cord lock is mounted about 2/3 down on the side, with 3M double sided adhesive

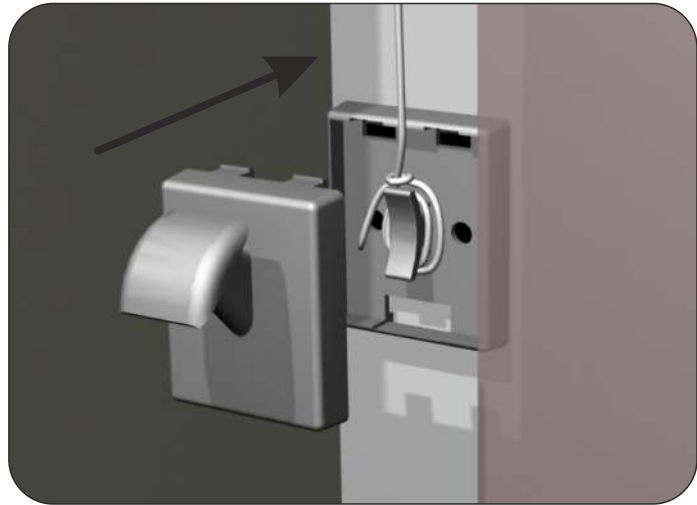


6. When the back of the cord lock is fitted, use two screws to secure the cord lock.

7. Loosen the curtain film (hold the cord) and pull it down to the right height for your windows. Then make two knots as shown on the pictures, to secure the window film.



8. Now you can insert the top cover for the string lock. If the cord is a little too long, cut the excess cord off.



9. Now you can use your new Sunflex curtain for many years.